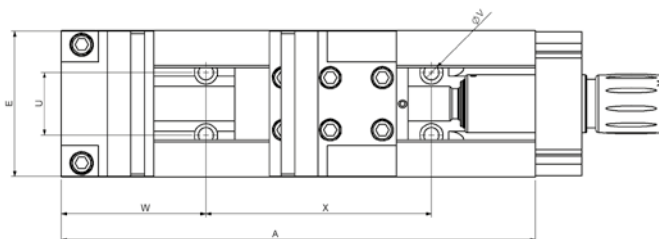
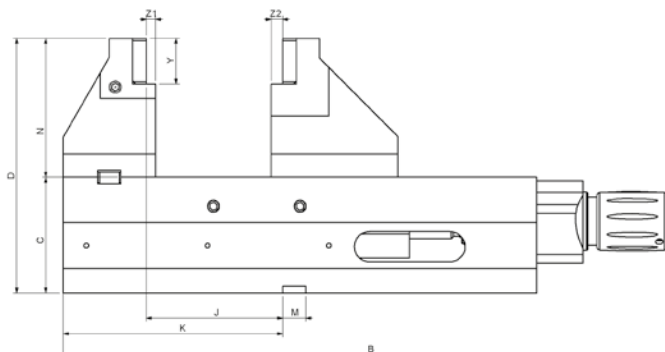




5X Mechanic

Manual vice 



| Size | 125 M | 125 L | 160 M |
|---|--------------------|--------------------|--------------------|
| ARNOLD 5X Mechanic | 050 121 125 | | 050 121 160 |
| ARNOLD 5X Mechanic with power preset | 050 131 125 | 050 130 125 | 050 131 160 |
| Clamping force (kN) | 30 | 30 | 40 |
| A | 410 | 480 | 530 |
| B | 524 | | 638 |
| B (with power preset) | 551 | 621 | 665 |
| C -0.02 | 100 | 100 | 115 |
| D | 220 | 250 | 250 |
| E | 126 | 126 | 161 |
| J +0.02 | 118 | 108 | 128 |
| K | 190 | 230 | 230 |
| M H7 | 20 | 20 | 20 |
| N | 120 | 150 | 135 |
| U | 54 | 48 | 68 |
| V | 13 | 13 | 13 |
| W | 125 | 120 | 140 |
| X | 195 | 240 | 300 |
| Y | 39,5 | 39,5 | 39,5 |
| Z1 | 8 | 8 | 8 |
| Z2 | 10 | 8 | 8 |
| Weight (kg) | 44 | 49 | 70 |
| Clampings | 125 M | 125 L | 160 M |
| Clamping field O1 | 18-228 | 38-240 | 16-303 |

Clamping possibilities



Size M



Size L

Zero point system preinstallation

This vice includes preinstallation for **O-MAK** zero point system.

