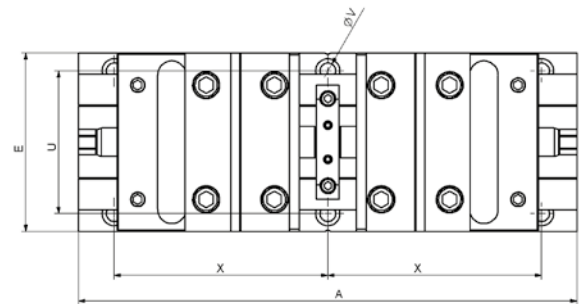
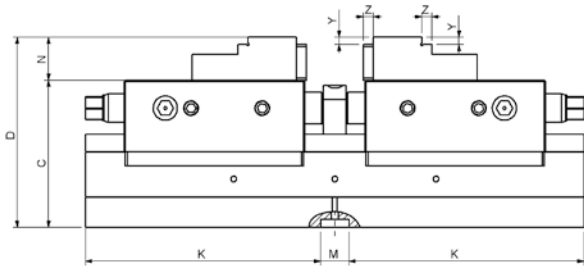




SC

Manual vice 



Size	70	90	125	125 L	125 XL
Arnold SC	050 200 70	050 200 090	050 200 125	050 202 125	050 203 125
Clamping force:	11kN / 30 Nm	18 kN / 60 Nm	32 kN / 120 Nm	32 kN / 120 Nm	32 kN / 120 Nm
A	140	250	350	450	550
C	73	100	103	103	103
D	96	130	133	133	133
E	72	93	125	125	125
K	63	115	165	215	265
M H7	14	20	20	20	20
N	23	30	30	30	30
U	60	71	100	100	100
V	7	11	11	11	11
X	62	100	150	189	252
Y	3	5	5	5	5
Z	3	6	7	7	7
Weight (kg)	5	14,3	30	39	43
Clampings	70	90	125	125 L	125 XL
Clamping field O1	6-36	12 - 77	14 - 108	14-108	14-208
Clamping field O2	46-76	79 - 145	108 - 204	204-300	204-400
Clamping field O3	35-65	59 - 125	82 - 178	82-178	82-278
Clamping field O4	75-105	127-193	178 - 274	274-370	274-470
Clamping field O5	43-73	64 - 129	82 - 176	82-176	82-276
Clamping field O6	83-113	131 - 197	176 - 272	272-368	272-468
Clamping field O7	72-102	111 - 177	150 - 246	150-249	150-346
Clamping field O8	112-142	179 - 245	246 - 342	342-435	342-538

Clamping possibilities



Clamping field O1



Clamping field O2



Clamping field O3



Clamping field O4



Clamping field O5



Clamping field O6



Clamping field O7



Clamping field O8

Zero point system preinstallation

This vice includes preinstallation for **O-MAK** zero point system.

