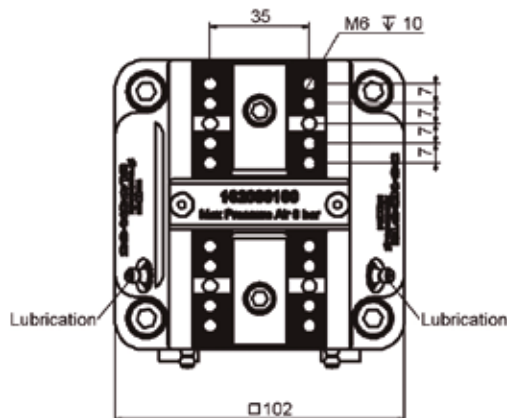
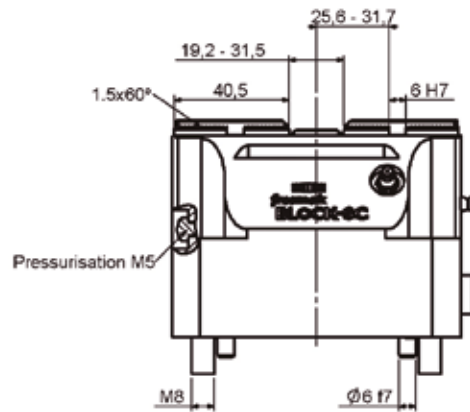
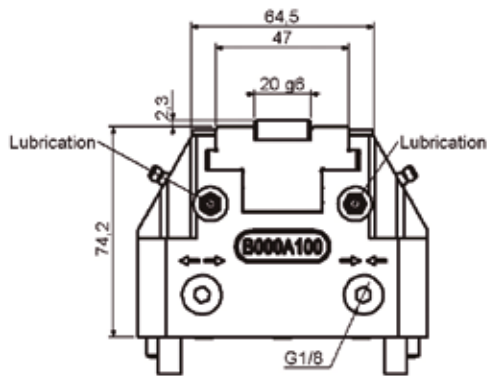
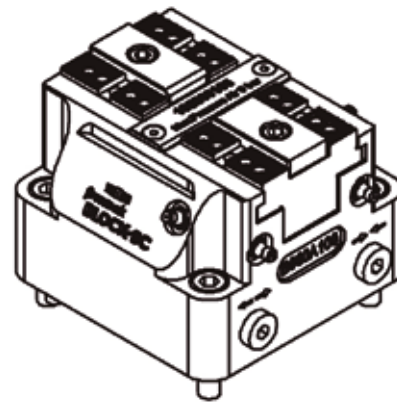
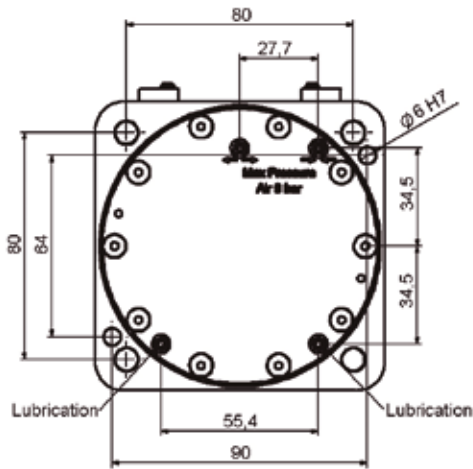




Size	Code	Gripping force kN	Max. operating pressure bar	Jaw stroke mm	Repeatability mm	Max. jaw height mm	Air consumption cm ³	Weight Kg
Pneumatic 100	162 000 100	8	9	6	0,01	150	160	4,5

* The total clamping strength of BLOCK-SC is the sum of the individual strengths of each jaw.





Size	Code	Gripping force kN	Max. operating pressure bar	Jaw stroke mm	Repeatability mm	Max. jaw height mm	Air consumption cm ³	Weight Kg
Pneumatic 160	162 000 160	20	9	8	0,02	200	500	12,5

* La fuerza de amarre total del plato autocentrante BLOCK-SC es la suma aritmética de las fuerzas individuales de cada boca o garra.

