



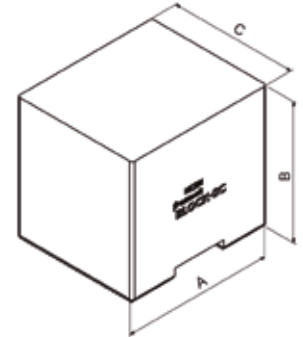
## Jaws

### WIDE JAW



- > Soft jaw.
- > Material: F-1550 (18crMoS4).  
Can be hardened.
- > Assembly: Carved 1.5 x 60°.

Code	A	B	C
192 231 100	55	50	47
192 231 160	80	80	76

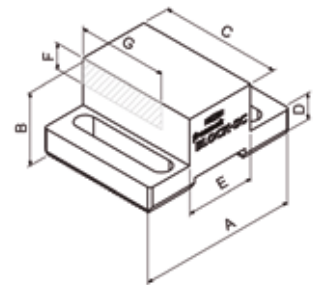


### NARROW JAW



- > Soft jaw, slotted.
- > F-1550 (18crMoS4)  
Can be hardened.
- > Assembly: Carved 1.5 x 60°.

Code	A	B	C	D	E	F	G
192 230 100	55	25	42	9	24	9	31
192 230 160	80	40	60	12	45	19	40



### JAW WITH KEYWAYS



- > Soft jaw with fixing holes.
- > F-1550 (18crMoS4)  
Can be hardened.
- > Assembly: Keyways.

Code	A	B	C	D	E	F	G	H	I
192 232 100	55	48	47	9	50,6	43	32	14	35
192 232 160	80	77,5	80	12	80,5	70	57	28	51

